

## 22-32GHz Low Noise Amplifier

### High Gain, Low NF, High Power=+20dBm



#### Product Overview

AT-LNA-2232-4002P20 is high gain low noise amplifier with 40dB gain in the frequency of 22-32GHz. The DC power requirement is +5V/210mA. The module is with 2.92mm Female connector.

AT Microwave can provide all kinds of coaxial low noise amplifiers, with frequency from 0.01-67GHz, gain from 20 to 60dB, Pout from +5 to +27dBm, and connectors from SMA to 1.85mm. If you don't find what you need, just send us email [sales@atmicrowave.com](mailto:sales@atmicrowave.com)

#### Advantages

- ✓ Frequency: 22-32GHz
- ✓ Small signal gain: 40dB
- ✓ NF=2dB
- ✓ Single Power Supply

#### Application

- ✓ 5G Communication
- ✓ Test Equipment
- ✓ ROF (RF Over Fiber)
- ✓ Radar System

#### Key Features

Parameter	Min	Typical	Max
Frequency		22-32GHz	
Gain	38	40 dB	
NF		2dB	2.8
P1Db		+18dBm	
Psat		+20dBm	
Drain Supply		+5V	+8V
Current		210 mA	300mA
Input Return Loss	-5	-10dB	
Output Return Loss	-5	-10dB	
Spec Temp		25C	





# AT-LNA-2232-4002P20

22-32GHz Low Noise Amplifier

## Mechanical Information

Item	Description
Input Port	2.92mm Female
Output Port	2.92mm Female
Case Material	Copper
Finish	Gold Plated
Package Sealing	Epoxy Sealed
Weight (Without Heatsink)	80g
Size:	30x30x14 mm

## Absolute Maximum Ratings Table

Parameter	Value
Drain Supply	+13V
RF Input Power	+0 dBm
Operating Temperature(note)	-20 to + 70C
Storage Temperature	-65 to +150C

Note: -40 to +85C is available according to request.

## Notes:

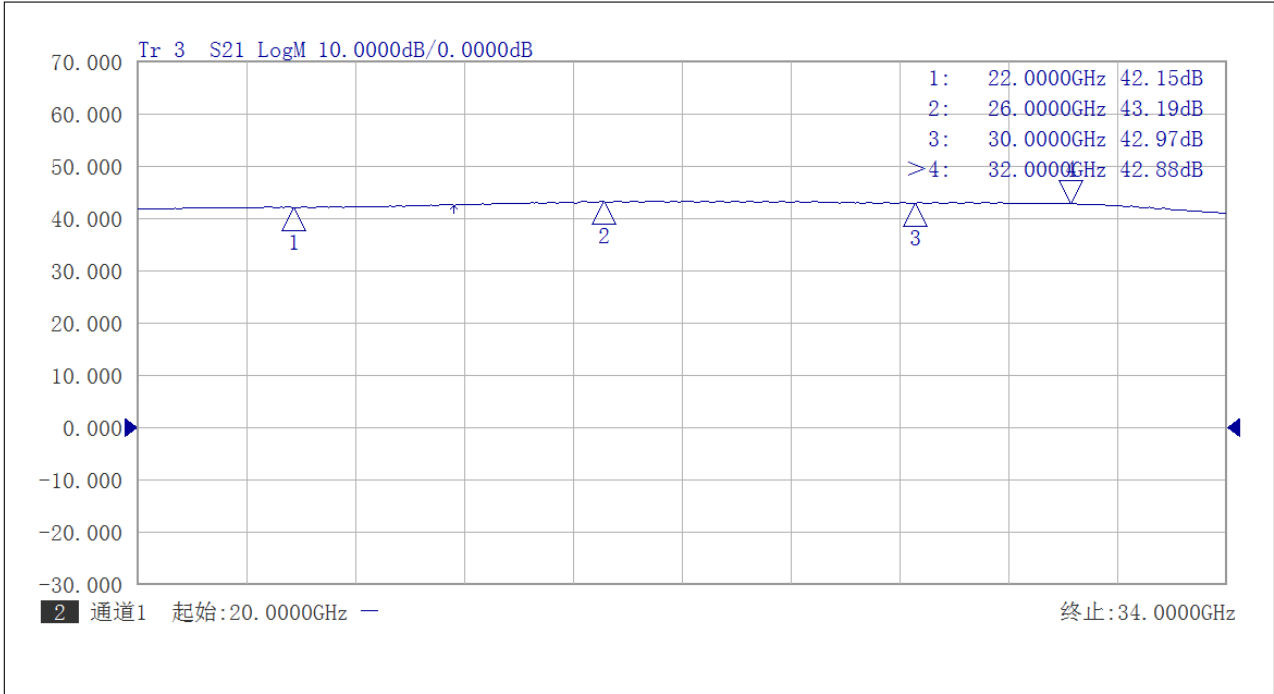
1. Datasheet may be changed according to update of MMIC, Raw materials , process, and so on.
2. This data is only for reference, not for guaranteed specifications.
3. Please contact AT Microwave team to make sure you have the most current data.

## Part Number Selection Guide

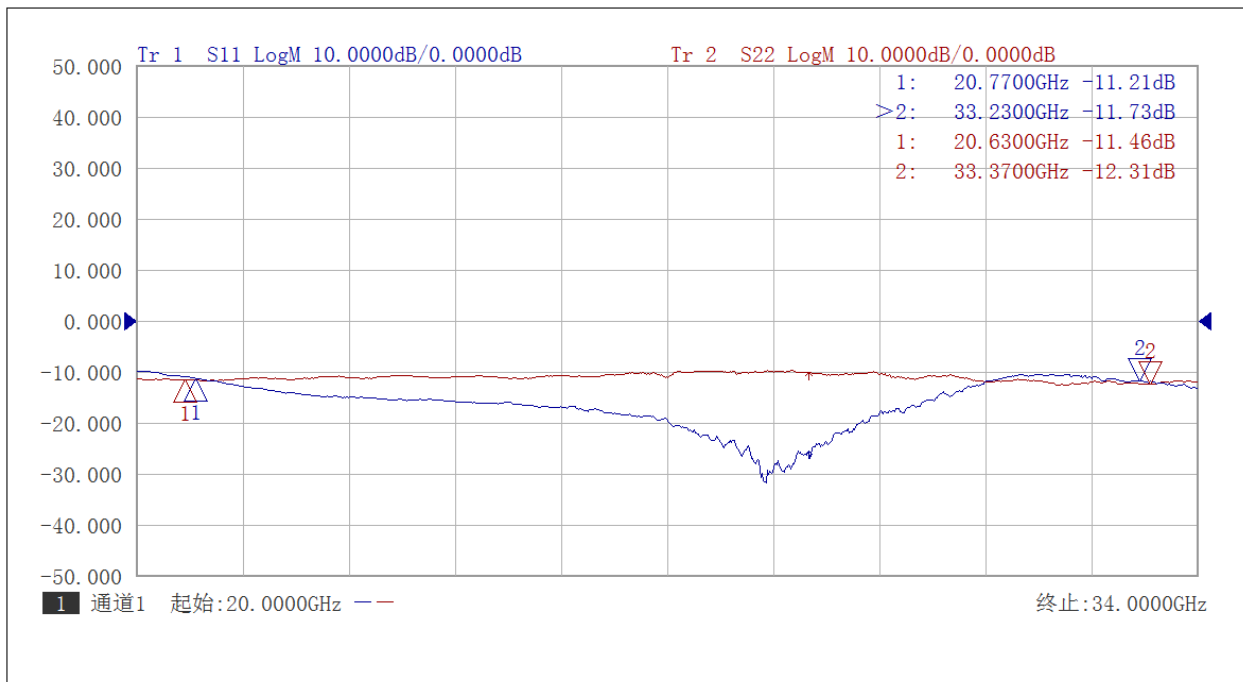
Item	Description
PN	Stand Module with DC Power Supply
<b>PN-LCBT</b>	<b>L</b> ow Cost, <b>C</b> ompact <b>B</b> ench- <b>T</b> op, +220V Supply with AC/DC Adapter



### Test Data

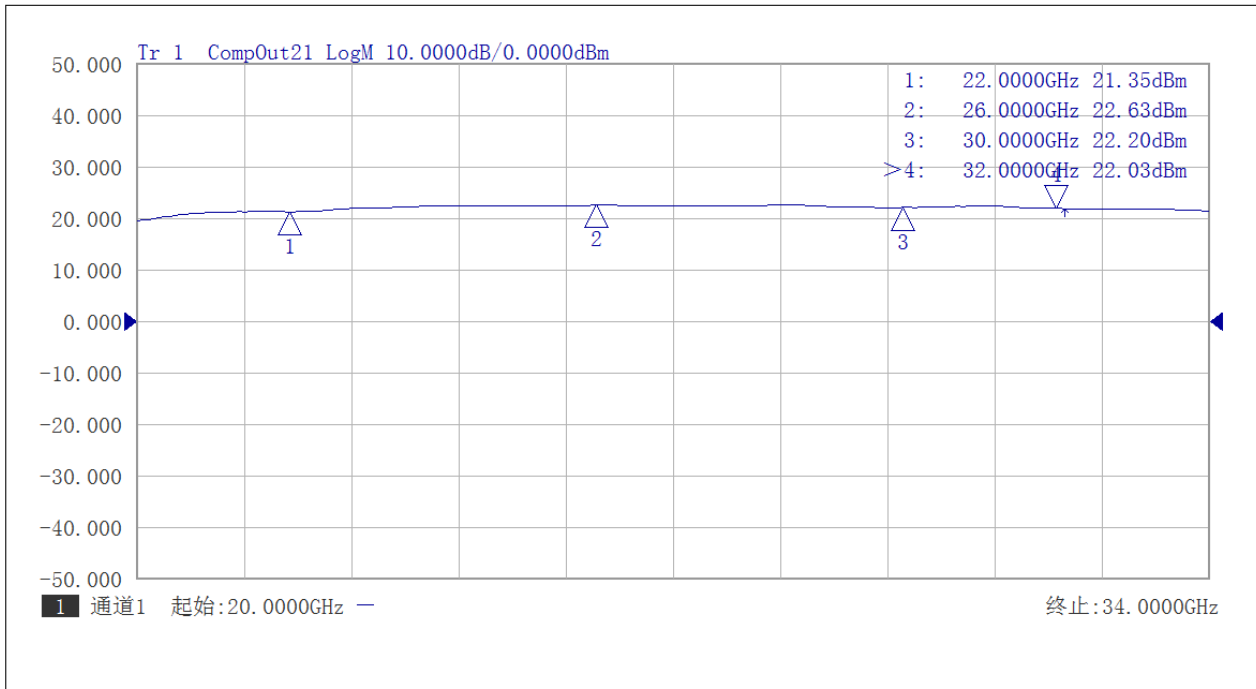


Gain vs Frequency



Return Loss vs Frequency





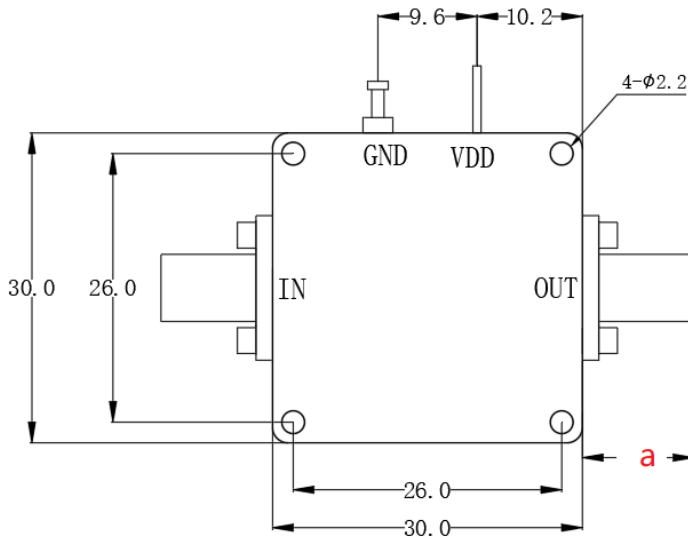
P1db vs Frequency



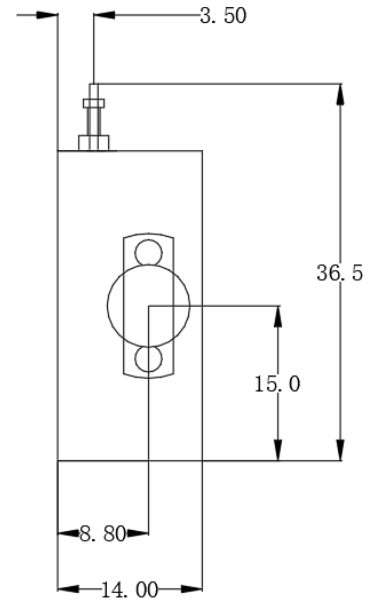
NF vs Frequency



**Dimension:** (unit in mm)



In millimetres



	<26.5GHz	<40GHz	<50GHz	<67GHz
Connector	SMA	2.92mm	2.4mm	1.85mm
Length of a	9.4mm	9.5mm	10.8mm	11.3mm

Note: Female Default. Contact with us for other types.

